



*Always be here with you!*



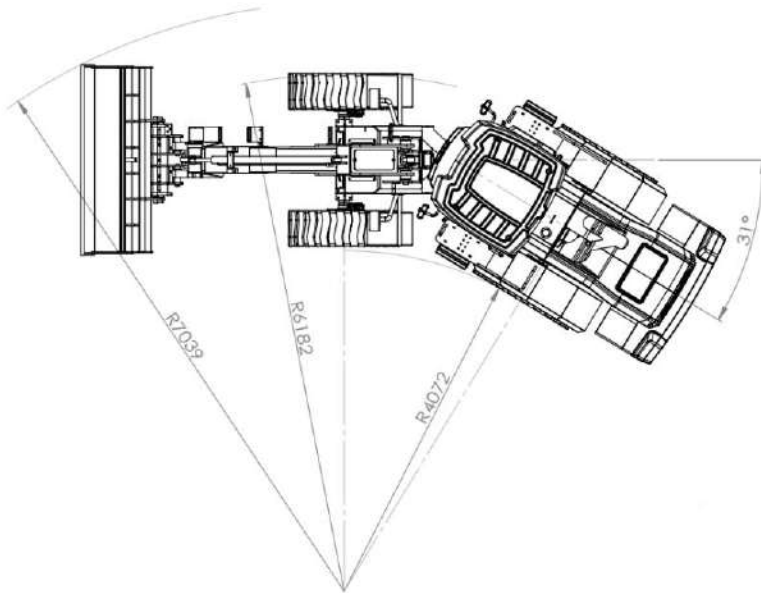
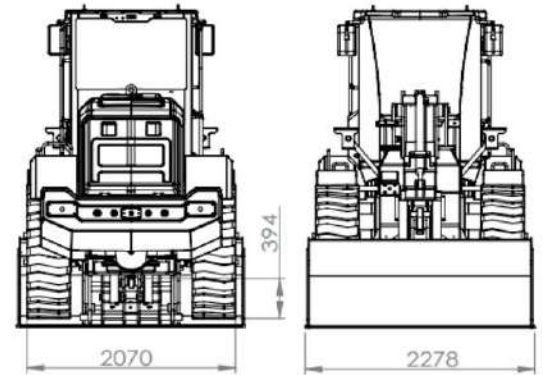
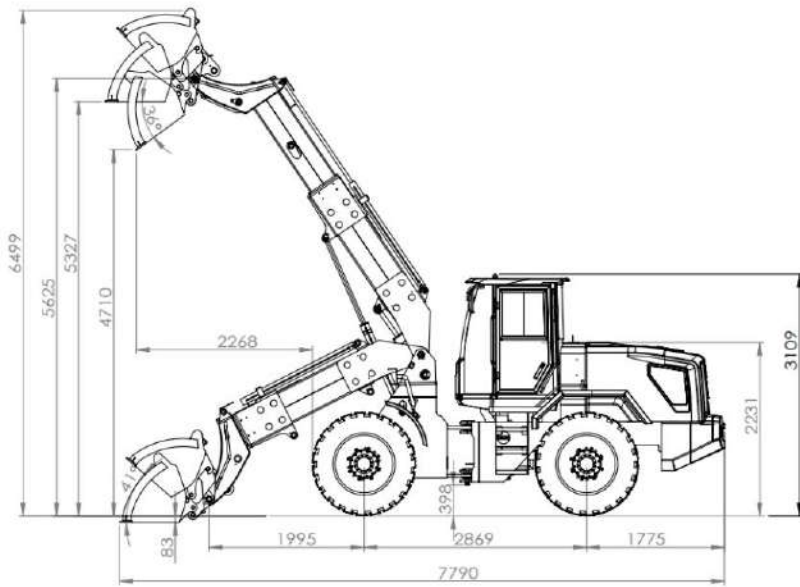
CE

# WHEEL LOADER WL933NT



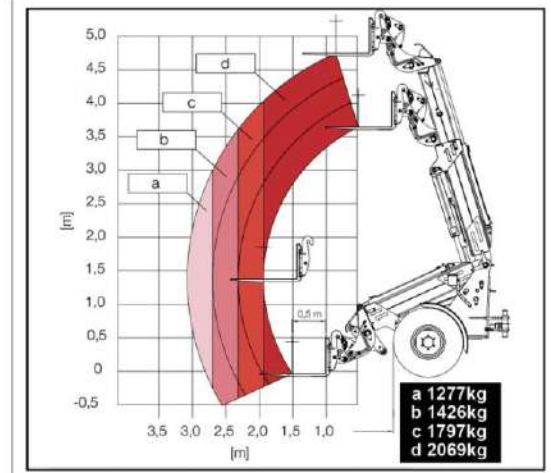
## Specifications

Bucket Capacity(Cbm):	1.6
Rated Load(Kg):	3000
Overall Weight(Kg):	8600
Max. Dumping Height(mm):	4710
Standard Engine:	WEICHA DEUTZ
Rated Power(Kw):	92
Rated Speed(R/Min):	2200
Optional Engine:	WP6G125E22
Wheel Base(mm):	2869
Wheel Thread(mm):	1670
L×W×H (mm):	7790×2278×3109
Standard Tire:	16/70-24
Option Tire:	17.5/25



## DESCRIPTION

WL933NT is a telescopic loader based on WL933N. The maximum lifting height of this loader is 5.3m.





QINGDAO ZONGJIN ENGINEERING MACHINERY CO.,LTD.

WOLF (QINGDAO) EQUIPMENT CO.,LTD.



Tel: 0086-532-66739792

Email: [info@chinawheelloaders.com](mailto:info@chinawheelloaders.com)

WeChat/Whatsapp: +8613589171650

Address: No.88 Chunyang Rd,Chengyang,Qingdao,China