



Always be here with you!



CE

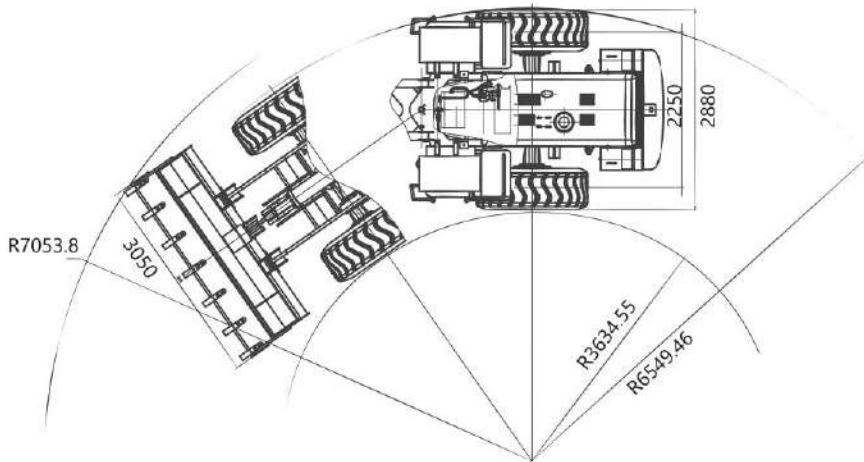
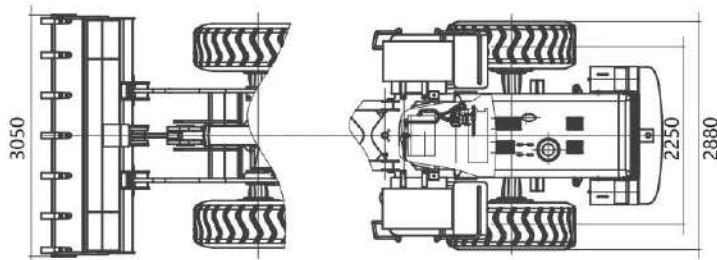
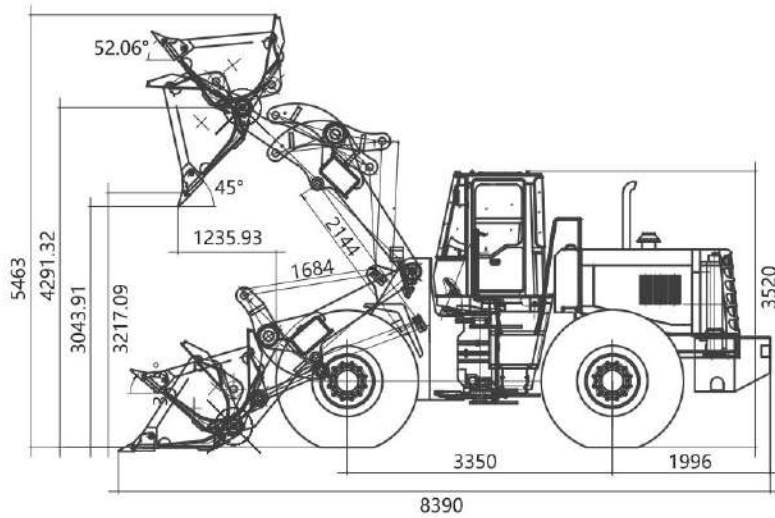
WHEEL LOADER

WL600



Specifications

Engine Model:	WEICHAI WD10G240E21
Rated Power(kw):	175
Rated Speed(rpm):	2200
Rated load(kg):	6000
Rated Bucket Capacity(m ³):	3.3
Overall Size LxWxH(mm):	8390×2880×3520
Wheel base (mm):	3350
Wheel thread(mm):	2250
Max.breakout force (KN):	204
Max.dump height(mm):	3217
Dump distance(mm):	1236
Total time(s):	10.8
Operating Weight(kg):	18200
Tyre:	26.5-25



DESCRIPTION

- Hydraulic steering allows for precise positioning and easy driving
- Pilot joystick control for single hand operation
- Optional VDO (Germany) instrument panel for more accurate readings
- Optional electronic ZF (Germany) gearbox comes with wrist speed control for easy shifting through the gears
- Ergonomically designed air-conditioned cabin reduces external noises and vibrations





QINGDAO ZONGJIN ENGINEERING MACHINERY CO.,LTD.

WOLF (QINGDAO) EQUIPMENT CO.,LTD.



Tel: 0086-532-66739792

Email: info@chinawheelloaders.com

WeChat/Whatsapp: +8613589171650

Address: No.88 Chunyang Rd,Chengyang,Qingdao,China