



*Always be here with you!*



CE

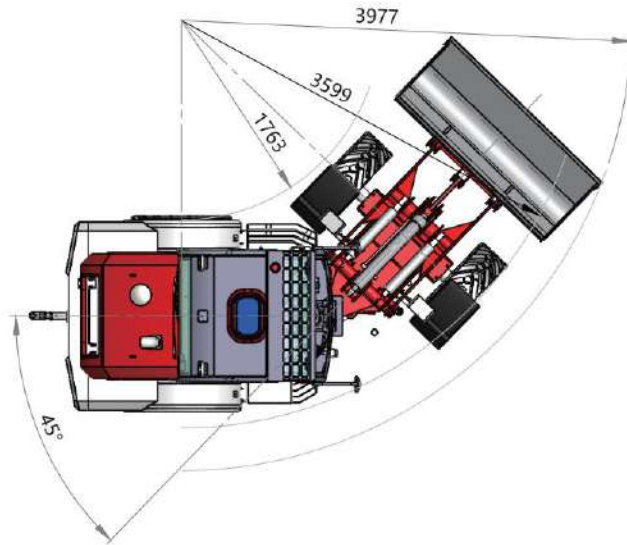
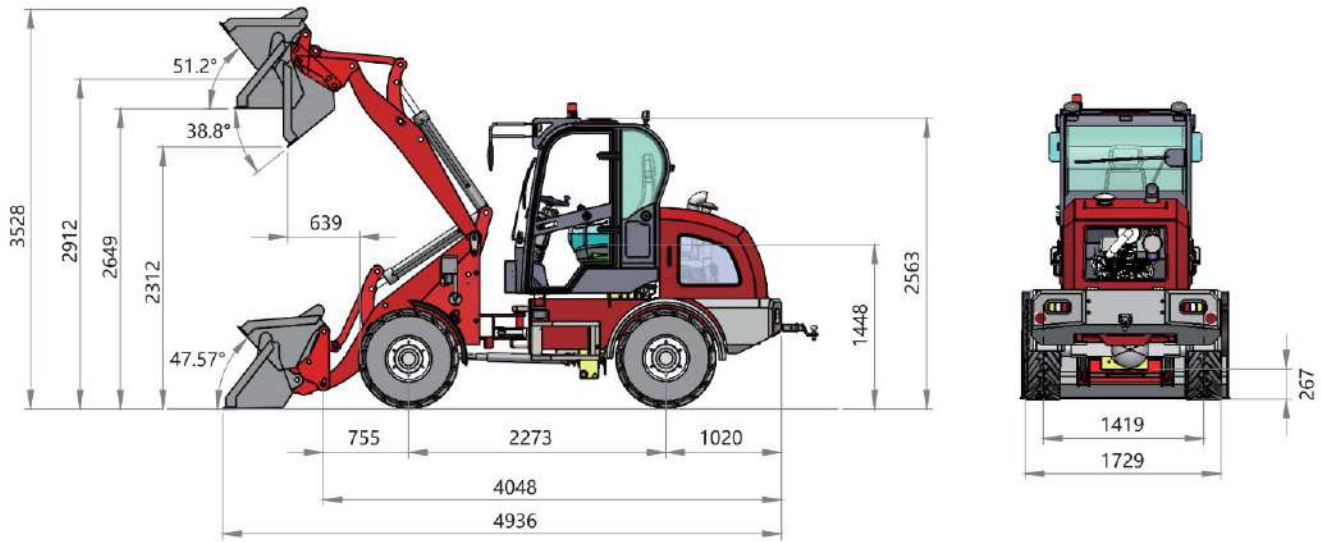
# WHEEL LOADER

## WL816



### Specifications

Bucket Capacity (Cbm):	0.8-0.9
Rated Load (Kg):	1600
Overall Weight (Kg):	3900
Max. Dumping Height (mm):	2312
Standard Engine:	XINCHAI A498BT1 E3
Rated Power (Kw):	36.8
Rated Speed (R/min):	2400
Wheel Base (mm):	2273
Wheel Thread (mm):	1419
L×W×H (mm):	4936×1729×2563
Standard Tire:	20.5/70-16
Option Tire:	33X15.5-16.5



## DESCRIPTION

The standard rear-equipped seven-pin aviation plug can be connected to a small trailer immediately





QINGDAO ZONGJIN ENGINEERING MACHINERY CO.,LTD.  
WOLF (QINGDAO) EQUIPMENT CO.,LTD.



Tel: 0086-532-66739792  
Email: [info@chinawheelloaders.com](mailto:info@chinawheelloaders.com)  
WeChat/Whatsapp: +8613589171650  
Address: No.88 Chunyang Rd,Chengyang,Qingdao,China