



WOLF



CE

Wolfloader.com

WOLF
WHEEL LOADER

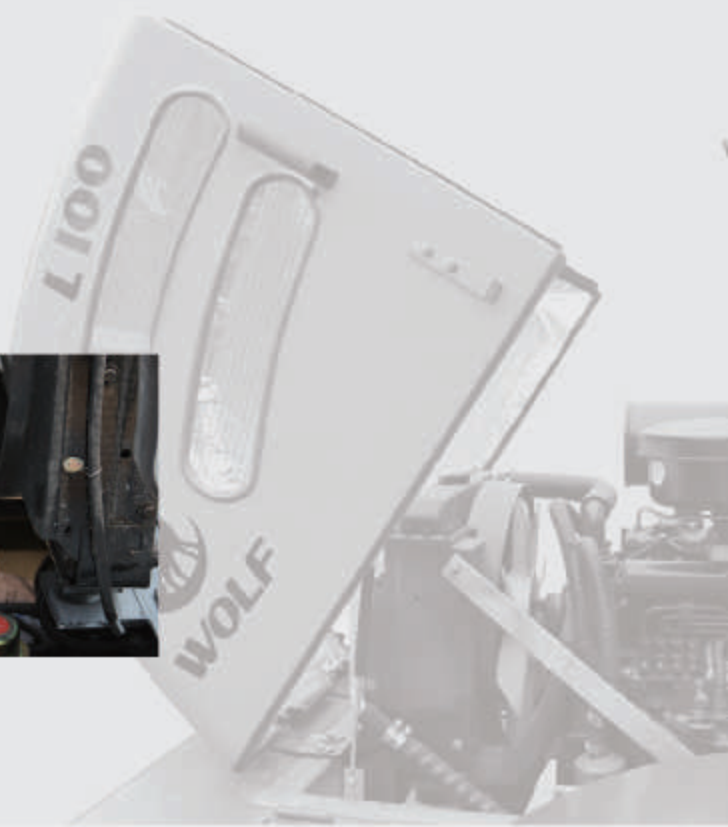


WHEEL LOADER USAGE SCENARIOS



COMMITTED TO EFFICIENCY

When it comes to moving material, nothing gets the job done like a WOLF wheel loader. No matter what your project, these rugged, high-performance machines are the fast, efficient way to get more work done. Delivering solid performance, coupled with its distinct emotive design and high grade ergonomic interior, WOLF wheel loaders are a class of its own.

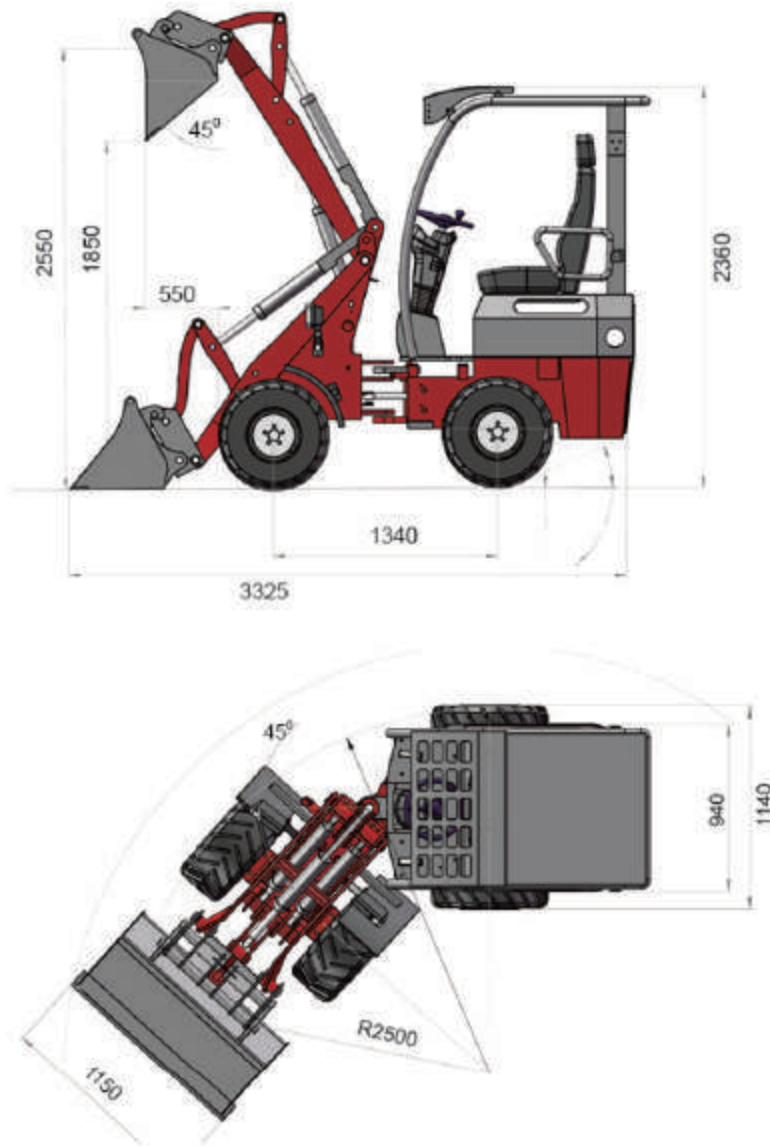


WHEEL LOADER MINI 750



Specifications

Engine Model:	Perkins 403J-11 E5
Rated Power(kw):	18.5
Rated Speed(rpm):	2200
Rated load(kg):	600
Rated Bucket Capacity(m3):	0.2-0.4
Overall Size LxWxH(mm):	3325×1150×2360
Wheel base (mm):	1340
Wheel thread(mm):	860
Max.breakout force (KN):	43
Max.dump height(mm):	1850
Dump distance(mm):	440
Total time(s):	7.5
Operating Weight(kg):	1470
Tyre:	26×12.00-12/27×8.5-15



DESCRIPTION

Compact design, low centre of gravity, tight turning radius and powerful performance – these features have characterized the Mini750 farm loader lines of products for years

European-style trailer hookup, small, light and flexible

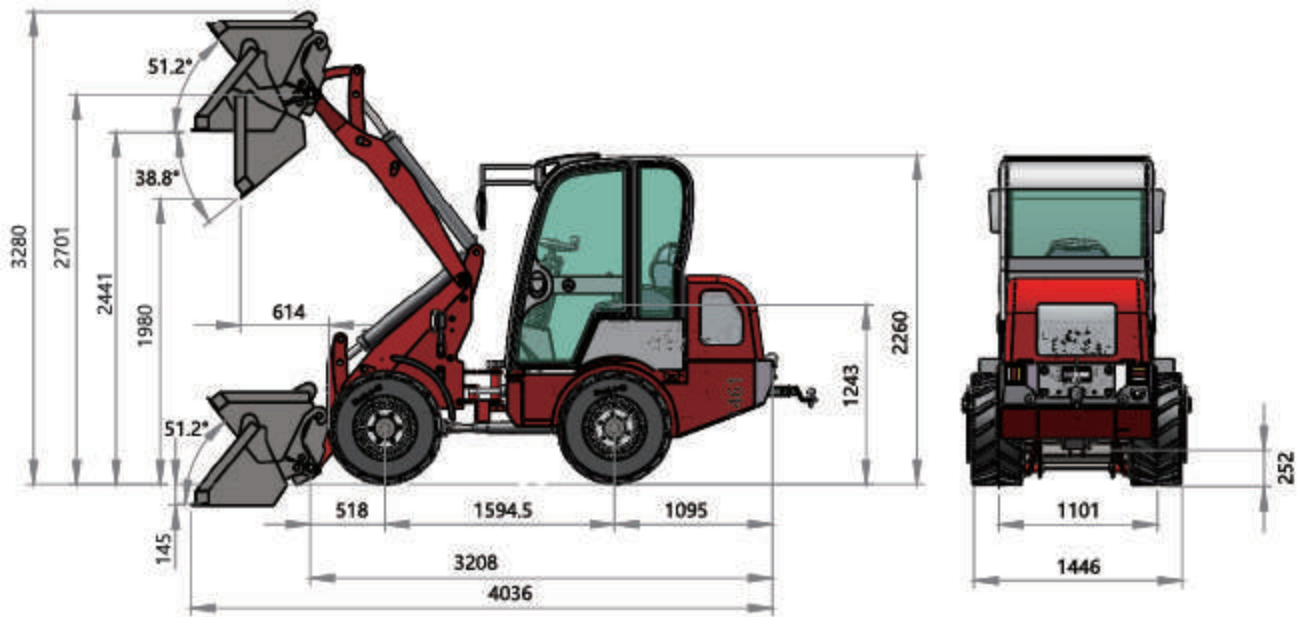


WHEEL LOADER MINI 780



Specifications

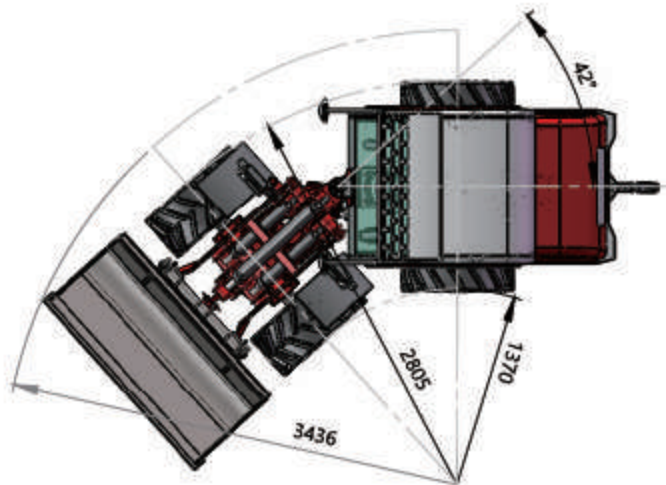
Engine Model:	KUBOTA V1505 E5
Rated Power(kw):	18.2
Rated Speed(rpm):	2300
Rated load(kg):	800
Rated Bucket Capacity(m3):	0.3-0.4
Overall Size LxWxH(mm):	4036×1446×2260
Wheel base (mm):	1595
Wheel thread(mm):	1101
Max.breakout force (KN):	50
Max.dump height(mm):	1980
Dump distance(mm):	614
Total time(s):	7.3
Operating Weight(kg):	2100
Tyre:	10-16.5/29×12.5-15/31×15.5-15



OPERATOR COMFORT

Full wrap-around glass cabin for 360° operational view for precise execution of works

- Ergonomic cabin with personalized amenities includes air-conditioning
- Pilot joystick control and transmission wrist speed control for ease of operation
- Noise and shock reduction cabin with ROPS/FOPS for reduced operator's fatigue and increased safety



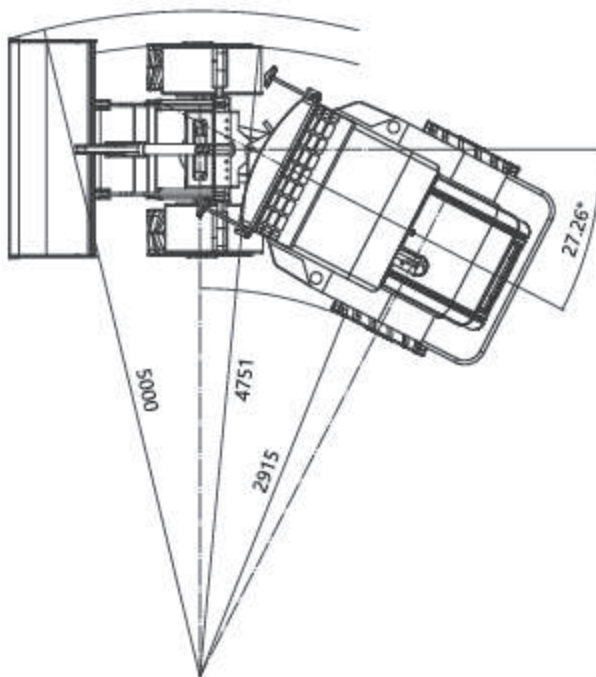
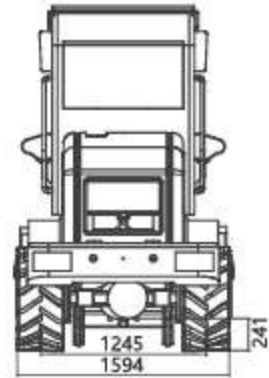
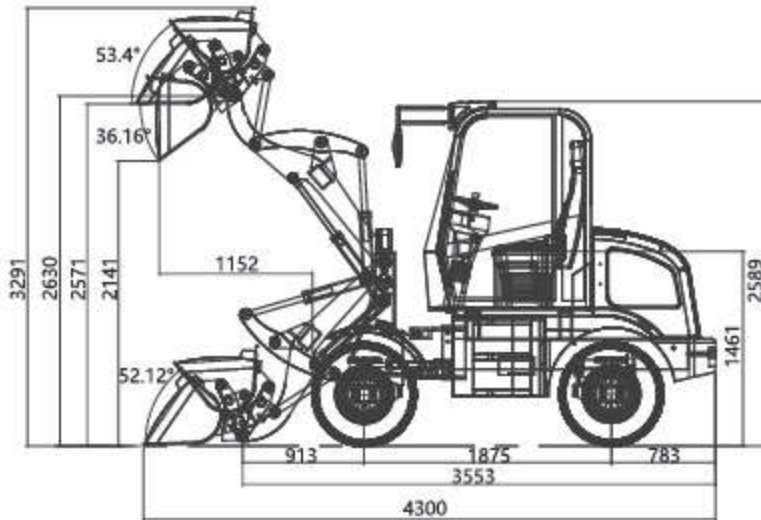
WHEEL LOADER

WL80



Specifications

Engine Model:	CHANGCHAI 390
Rated Power(kw):	25
Rated Speed(rpm):	2400
Rated load(kg):	800
Rated Bucket Capacity(m3):	0.3-0.5
Overall Size LxWxH(mm):	4300×1600×2590
Wheel base (mm):	1875
Wheel thread(mm):	1245
Max.breakout force (KN):	32
Max.dump height(mm):	2141
Dump distance(mm):	1152
Total time(s):	9.2
Operating Weight(kg):	2500
Tyre:	825-16/10-16.5/28×9-15.5/31×15.5-15/33×15.5-16.5



OPERATOR COMFORT

WOLF ergonomically designed air-conditioned cabin features a fully enclosed glass to improve visibility in all directions. Sophisticated design solutions simplify the operator's everyday work with a pilot joystick control, wrist speed control.

Higher levels of operator comfort helps you work more efficiently and increases productivity. The all-new WOLF Wheel Loader is designed to get the job done faster and keeps you working comfortably.



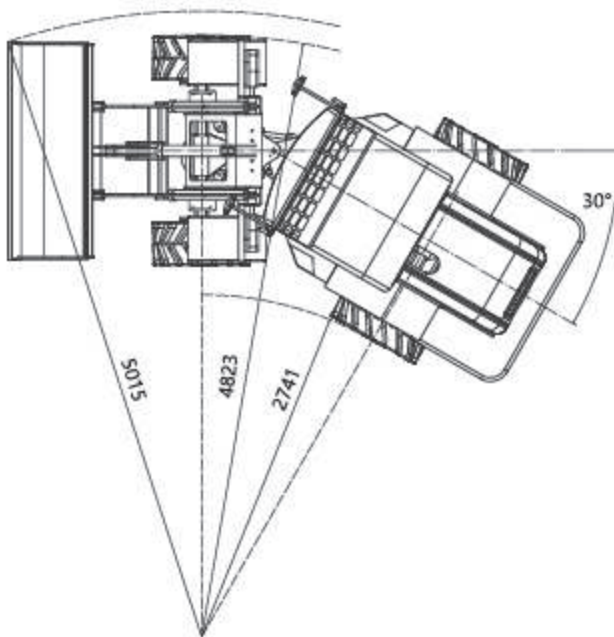
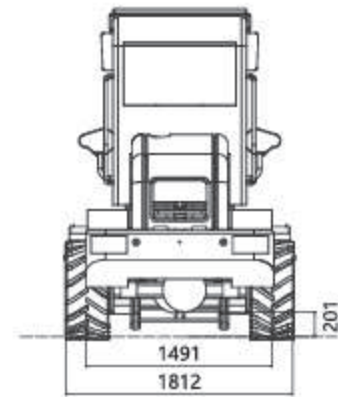
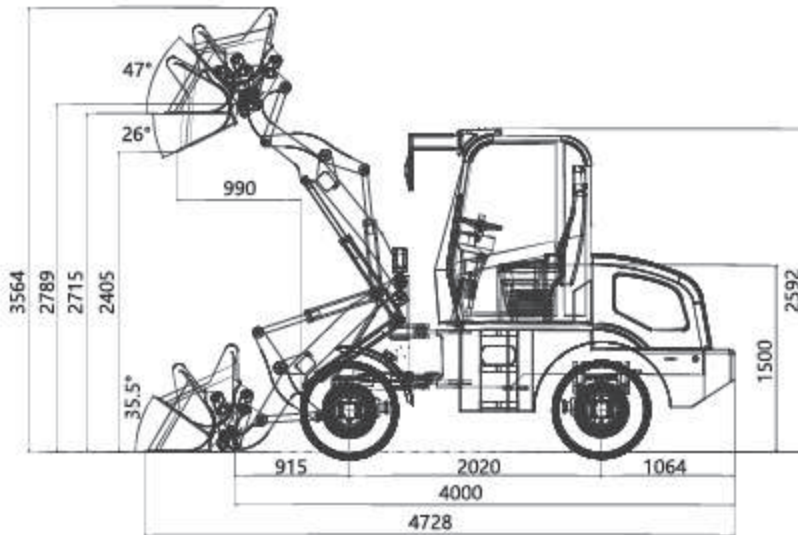
WHEEL LOADER

WL100



Specifications

Engine Model:	CHANGCHAI 490
Rated Power(kw):	39
Rated Speed(rpm):	2400
Rated load(kg):	1000
Rated Bucket Capacity(m3):	0.4-0.6
Overall Size LxWxH(mm):	4728×1700×2600
Wheel base (mm):	2020
Wheel thread(mm):	1490
Max.breakout force (KN):	40
Max.dump height(mm):	2405
Dump distance(mm):	990
Total time(s):	9.5
Operating Weight(kg):	3300
Tyre:	825-16/1200-16/31×15.5-15/20.5-16



DESCRIPTION

The pushbutton-actuated skid-steer-style coupler lets an operator attach and release attachments quickly from the seat. Optional Euro standard quick coupler such as John Deere, Bobcat can be used.



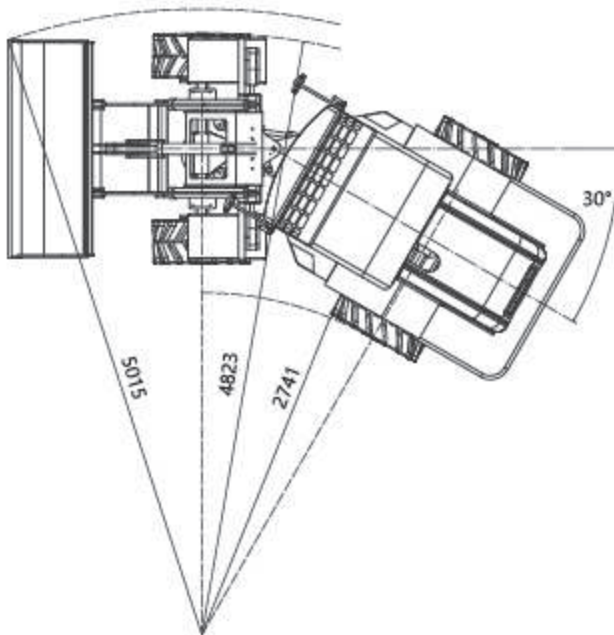
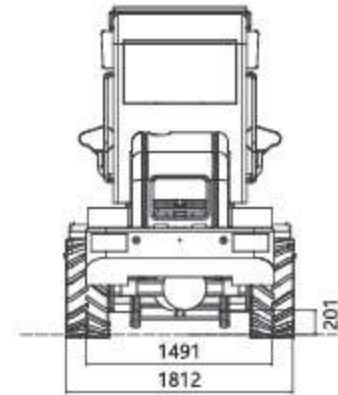
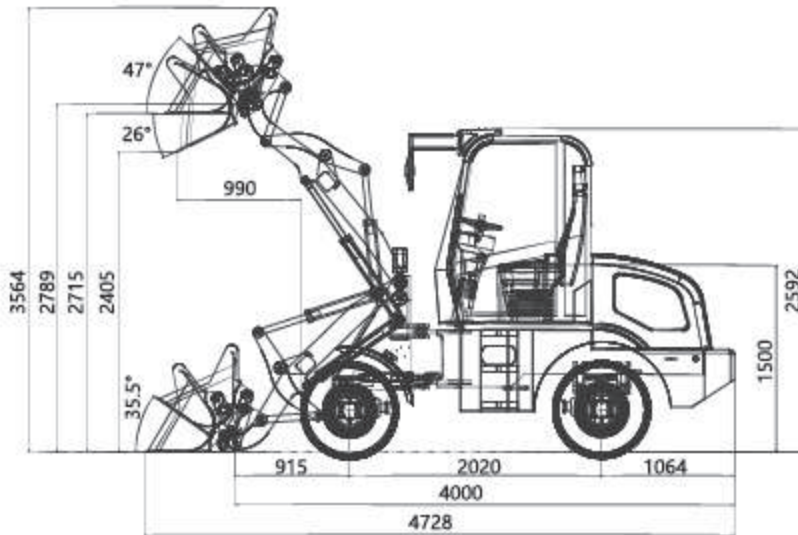
WHEEL LOADER

WL120



Specifications

Engine Model:	XINCHAI C490BPG E3
Rated Power(kw):	36.8
Rated Speed(rpm):	2650
Rated load(kg):	1200
Rated Bucket Capacity(m3):	0.4-0.6
Overall Size LxWxH(mm):	4750×1800×2600
Wheel base (mm):	2020
Wheel thread(mm):	1490
Max.breakout force (KN):	40
Max.dump height(mm):	2405
Dump distance(mm):	990
Total time(s):	9.5
Operating Weight(kg):	3400
Tyre:	20.5-16



DESCRIPTION

We know that every minute counts for you. That is why we already ensure during the design and development that you can quickly and easily maintain your wheel loads.

The engine hood can be opened wide so that all maintenance points are conveniently accessible.



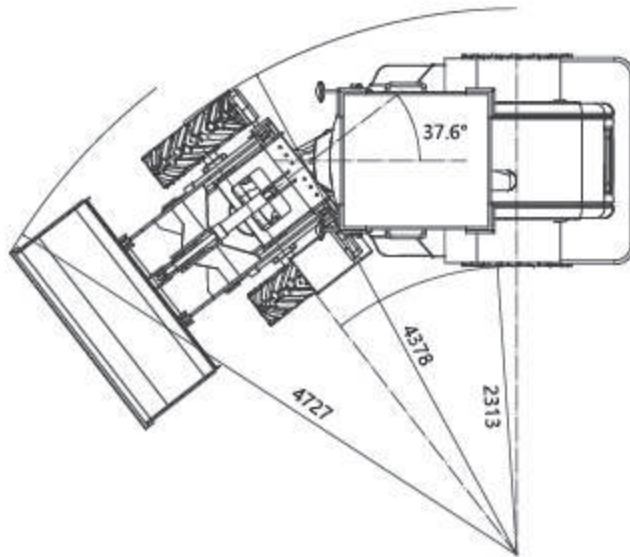
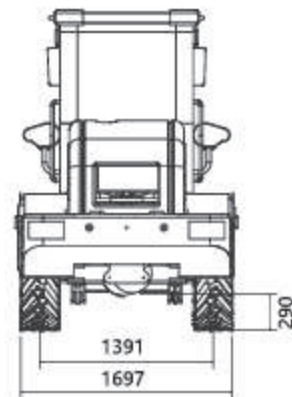
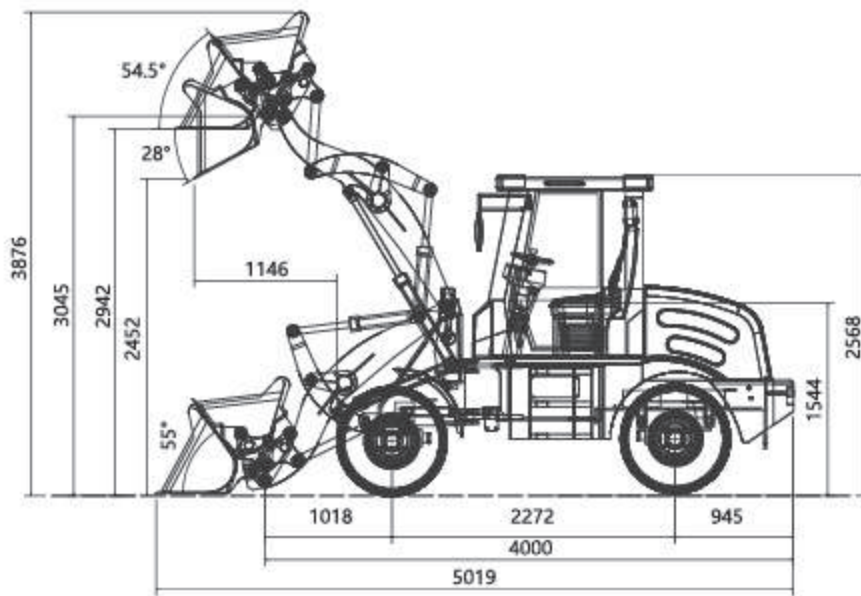
WHEEL LOADER

WL150



Specifications

Engine Model:	XINCHAI C490BPG E3
Rated Power(kw):	36.8
Rated Speed(rpm):	2650
Rated load(kg):	1500
Rated Bucket Capacity(m3):	0.5-0.9
Overall Size LxWxH(mm):	5100×1700×2580
Wheel base (mm):	2272
Wheel thread(mm):	1391
Max.breakout force (KN):	48
Max.dump height(mm):	2452
Dump distance(mm):	1146
Total time(s):	11
Operating Weight(kg):	3600
Tyre:	1200-16/12-16.5/20.5/70-16/23.5-16



DESCRIPTION

Like their green-and-yellow siblings, these loaders are right at home on the farm. Equipped with bale spear, forks, or buckets, these highly maneuverable machines handle a multitude of chores.



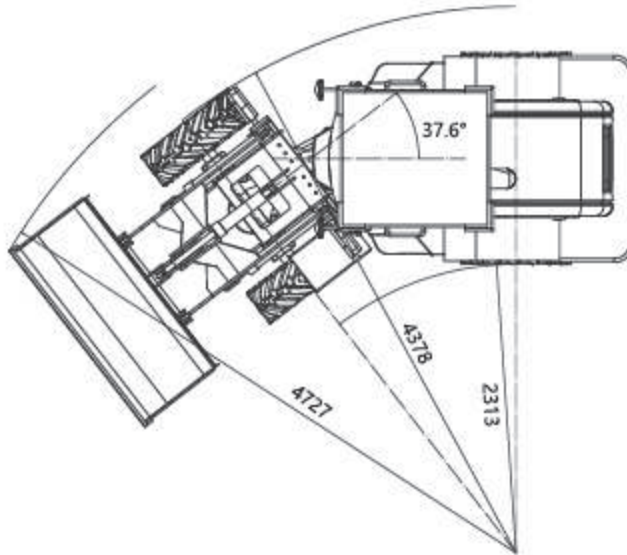
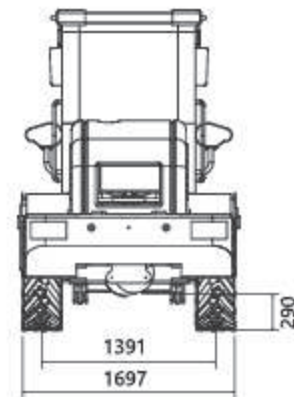
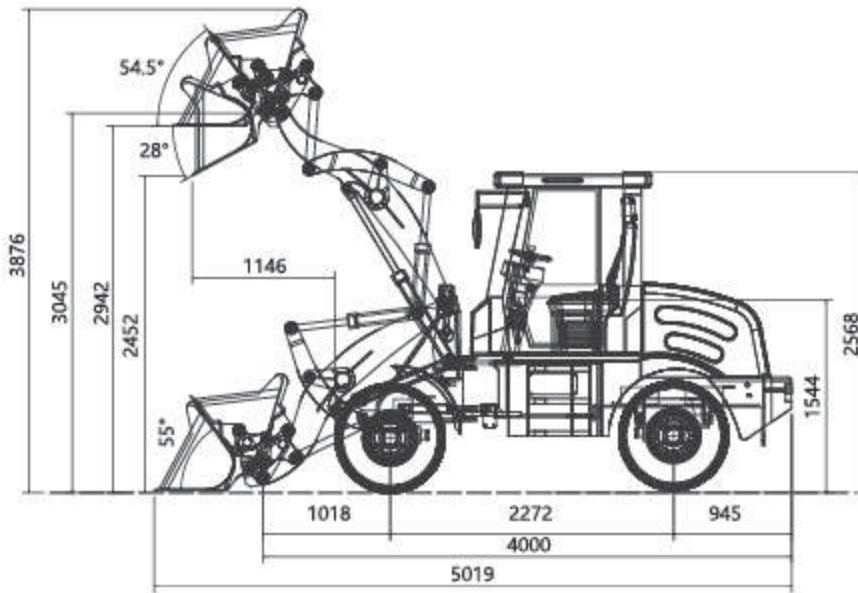
WHEEL LOADER

WL160



Specifications

Engine Model:	XINCHAI A498BT1 E3
Rated Power(kw):	36.8
Rated Speed(rpm):	2650
Rated load(kg):	1600
Rated Bucket Capacity(m3):	0.5-0.9
Overall Size LxWxH(mm):	5100×1700×2680
Wheel base (mm):	2272
Wheel thread(mm):	1391
Max.breakout force (KN):	64
Max.dump height(mm):	2452
Dump distance(mm):	1146
Total time(s):	11
Operating Weight(kg):	4000
Tyre:	20.5/70-16 23.5/70-16



DESCRIPTION

The ideally-matched, WOLF powertrain system has been built and refined over the years to work together in perfect harmony, ensuring optimized performance. WOLF offers an option of CUMMINS, KUBOTA, KOHLER, PERKINS and YANMAR engines to match the different market requirements across the globe.

These world-renowned OEM brands enjoy international warranty to minimize downtime and maximize productivity. Spare parts are also easily available.



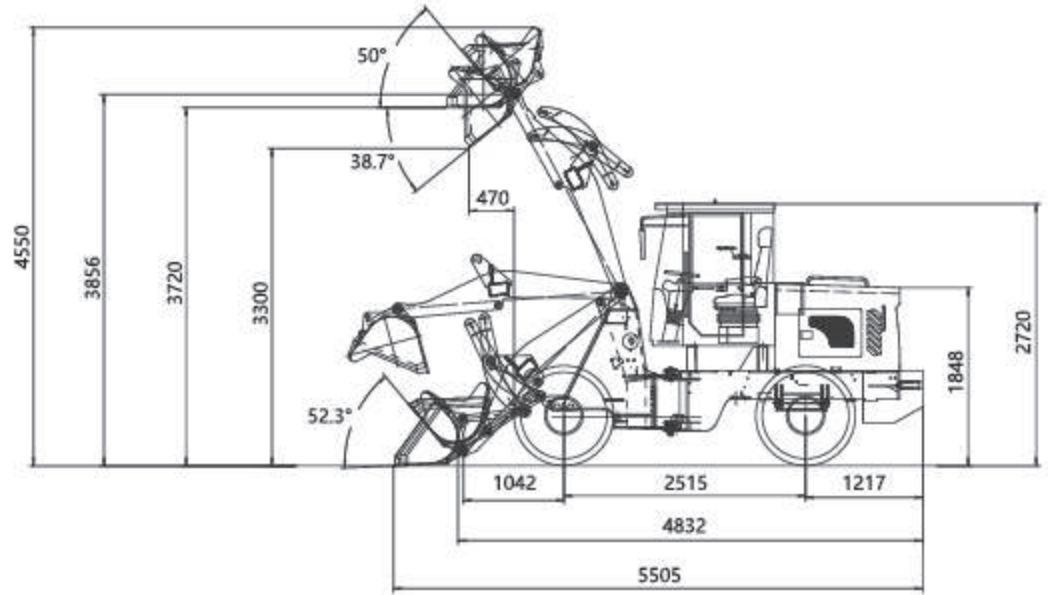
WHEEL LOADER

WL180



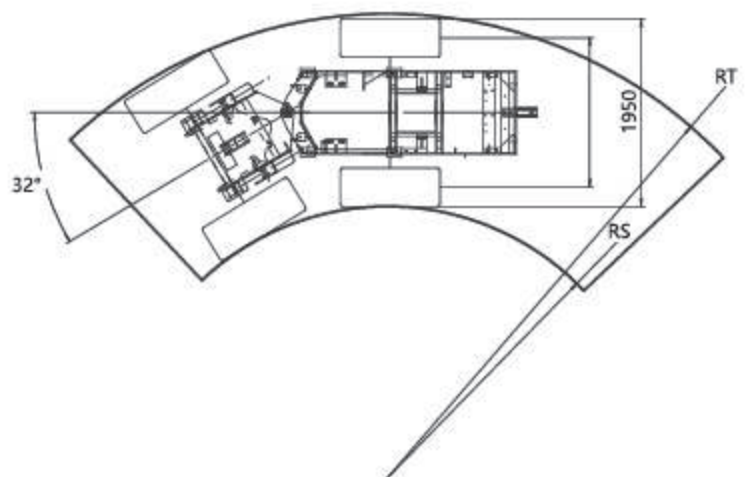
Specifications

Engine Model:	CHANGCHAI 4G33
Rated Power(kw):	70
Rated Speed(rpm):	2400
Rated load(kg):	1800
Rated Bucket Capacity(m3):	0.8-1.1
Overall Size LxWxH(mm):	5505×1950×2720
Wheel base (mm):	2515
Wheel thread(mm):	2430
Max.breakout force (KN):	72
Max.dump height(mm):	3300
Dump distance(mm):	470
Total time(s):	11.3
Operating Weight(kg):	4800
Tyre:	23.5-16 16/70-20



DESCRIPTION

Blades, buckets, and pushers make these loaders natural for removing whatever winter drops your way.



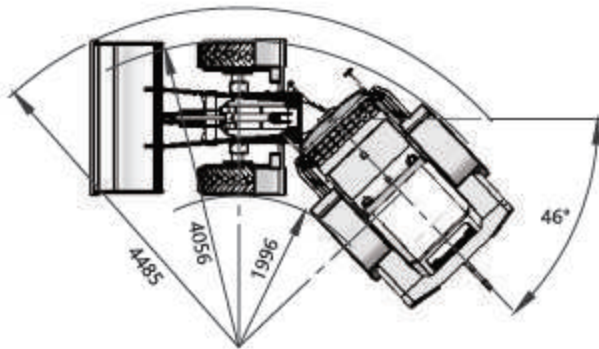
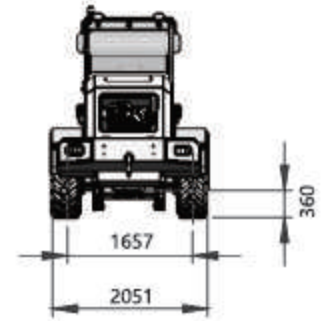
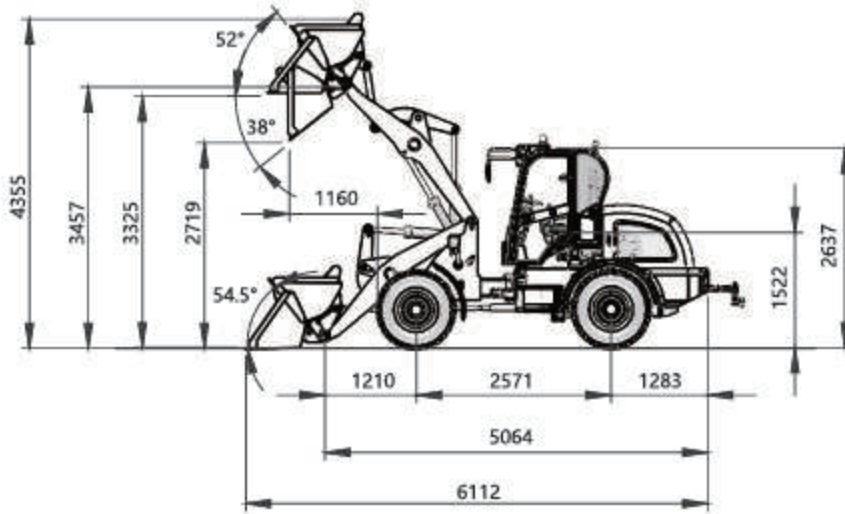
WHEEL LOADER

WL200



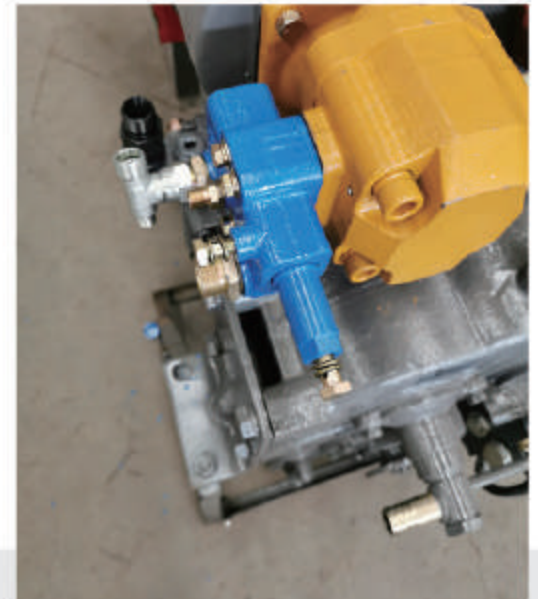
Specifications

Engine Model:	CHANGCHAI 4G33
Rated Power(kw):	70
Rated Speed(rpm):	2400
Rated load(kg):	2000
Rated Bucket Capacity(m3):	0.9-1.2
Overall Size LxWxH(mm):	6112×2051×2637
Wheel base (mm):	2571
Wheel thread(mm):	1657
Max.breakout force (KN):	80
Max.dump height(mm):	2719
Dump distance(mm):	1160
Total time(s):	9.5
Operating Weight(kg):	5500
Tyre:	16/70-20



BRAKE

The independent hydraulic oil braking system, which is different from other manufacturers' air-over-oil braking system, can ensure reliable braking ability and completely solve the problem of water existence in the air brake tank.





QINGDAO ZONGJIN ENGINEERING MACHINERY CO.,LTD. [MAINLAND]

WOLF EQUIPMENT PTE.LTD. [SINGAPORE]



TEL: 0086-532-66739792

FAX: 0086-532-66739791

info@chinawheelloaders.com

WHATSAPP: 0086-13589171650

NO.88 CHUNYANG RD,CHENGYANG,
QINGDAO,CHINA

www.wolfloader.com