



WOLF



CE

Wolfloader.com

WOLF
SKID STEER LOADER



SKID STEER LOADER USAGE SCENARIOS

Broad vision:

The design of 360°full-view cab remarkably promotes the operation space and thoroughly improves the operation vision.

Modular operation:

Based on the daily operation frequencies of the diversified operation units, the cab is modularly and appropriately arranged to ensure easily accessible operations.

The standard attachment quick change module features rich choice of attachments.

One-stop maintenance:

All filters are arranged at the easily accessible locations to truly realize the one-stop repairs and maintenance without tilting the cab.



Stronger body frame protects operator from danger. The rear window is large and it serves as an emergency exit. Closed cab with broader sight line.

Ergonomically designed safety armrest not only prevents the operator from falling off the chair accidentally, but also can support the operator body to have a rest when he was tired.



Easy Maintenance

The machine's cab can be opened totally with wide turning angle which can save time and improve efficiency in daily maintenance.



Free additional plugs for electronic attachments. The large-flow quick couplings will highlight their advantages in performance when using large-flow attachments.



Imported hydraulic system, superior performance.



All instruments and operating buttons are within the reach of the operator.



There are two extra handles on the outer cabin frame which provide convenience. Ample space also caters to tall machine operators.



Adopts high power engine, more powerful, larger loading capacity.

SKID STEER LOADER

ZJ30-ZJ120

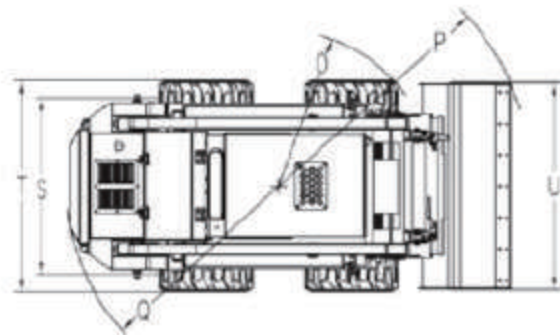
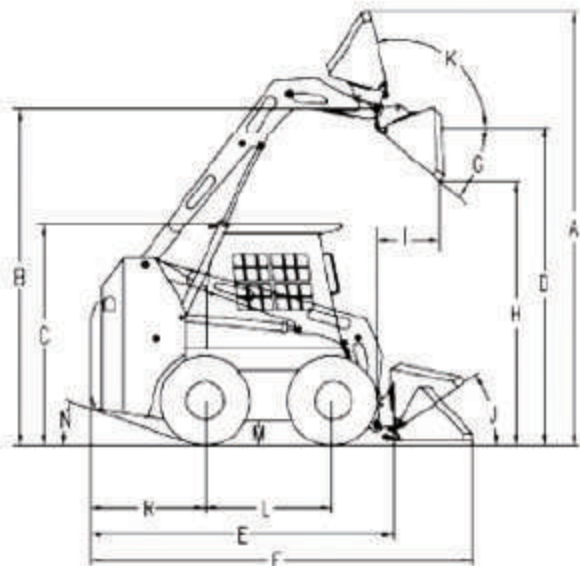


Specifications

	ZJ30	ZJ40	ZJ45	ZJ60	ZJ65	ZJ100	ZJ120
Operating load (kg)	300	500	700	850	1050	1100	1200
Max Speed (km/h)	9	10	12	12	12	9\18	9\18
Rated flux (L/min)	50	60	62.5	75	75	75	75
High Flow Flux (L/min)	/	/	/	/	120	140	140
Tire (track) model	23x8.5-15	8.5-15	10-16.5	12-16.5	12-16.5	12-16.5	12-16.5
Rated power (Kw)	18.4	37	37	45	55	74	103
Fuel tank capacity (L)	25	60	70	80	75	90	90
self weight bucket (kg)	1500	2300	2700	2800	3500	3550	3600
Bucket capacity (m³)	0.2	0.3	0.4	0.4	0.5	0.55	0.55

Dimension Parameter

	ZJ30	ZJ40	ZJ45	ZJ60	ZJ65	ZJ100	ZJ120
A. Overall operating height (mm)	3590	3300	3980	4000	4070	4070	4070
B. Height to bucket hinge pin (mm)	2650	2725	3080	3100	3280	3280	3280
C. Hheight to top of cab (mm)	2050	2000	2140	2160	2160	2160	2160
D. Height to bottom of level bucket(mm)	2470	2558	2913	2933	3140	3140	3140
E. Without bucket length (mm)	2430	2300	2640	2750	2880	2880	2880
F. Overall length with bucket(mm)	3170	2950	3420	3490	3580	3580	3580
G. Dumping angle at maximum height(°)	40	40	40	40	40	40	40
H. Dumping height(mm)	1920	2050	2380	2400	2500	2500	2500
I. Dumping reach(mm)	720	790	700	750	700	700	700
J. Rollback of bucket on ground(°)	30	30	30	30	30	30	30
K. Rollback of bucket at full height(°)	104	104	104	104	104	104	104
L. Wheelbase(mm)	801	897	991	991	1080	1115	1115
M. Ground clearance(mm)	180	140	185	205	205	205	205
N. Angle of departure(°)	20	20	20	20	20	20	20
O. Front turning radius without bucket(mm)	971	1098	1168	1198	1250	1278	1278
P. Front turning radius(mm)	1681	1760	1958	1958	2112	2144	2144
Q. Rear turning radius(mm)	1371	1296	1630	1728	1774	1857	1857
R. Rear axle to bumper (mm)	940	964	1108	1208	1082	1082	1082
S. Thread width (mm)	882	1080	1450	1500	1500	1500	1500
T. Width (mm)	1110	1350	1720	1880	1880	1880	1880
U. Bucket width (mm)	1150	1400	1740	1880	1880	1880	1880



SKID STEER LOADER

ZT50-ZT120

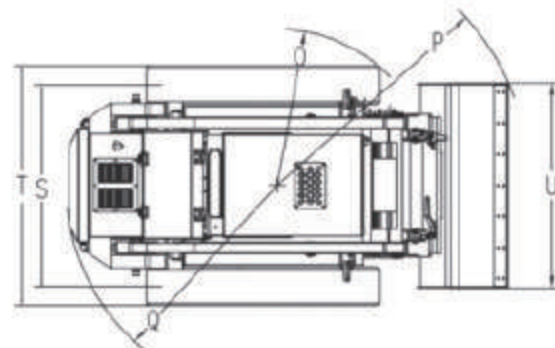
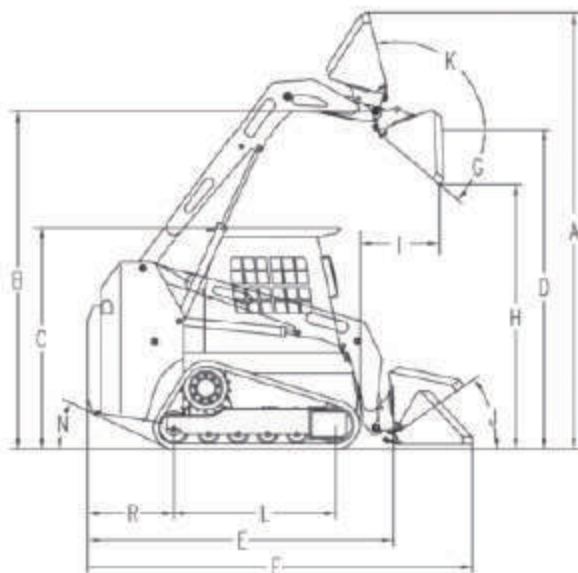


Specifications

	ZT50	ZT65	ZT75	ZT100	ZT120
Operating load (kg)	700	1000	1050	1200	1500
Max Speed (km/h)	10/15	12/18	12/18	12/18	12/18
Rated flux (L/min)	60	75	80	88	88
High Flow Flux (L/min)	/	/	120	140	140
Tire (track) model	300x52.5	320x84	320x84	320x84	450x86
Rated power (Kw)	36	55	55	74	103
Fuel tank capacity (L)	50	80	75	90	90
self weight bucket (kg)	2800	3800	3800	4500	4800
Bucket capacity (m³)	0.3	0.5	0.5	0.55	0.6

Dimension Parameter

	ZT50	ZT65	ZT75	ZT100	ZT120
A. Overall operating height (mm)	3350	3480	3480	4070	4070
B. Height to bucket hinge pin (mm)	2770	2900	2900	3150	3150
C. Hheight to top of cab (mm)	2050	2150	2150	2160	2160
D. Height to bottom of level bucket(mm)	2603	2730	2730	2983	2983
E. Without bucket length (mm)	2300	2750	2750	3000	3000
F. Overall length with bucket(mm)	2950	3500	3500	3700	3700
G. Dumping angle at maximum height(°)	40	40	40	40	40
H. Dumping height(mm)	2100	2230	2230	2450	2450
I. Dumping reach(mm)	790	715	715	700	700
J. Rollback of bucket on ground(°)	30	30	30	30	30
K. Rollback of bucket at full height(°)	104	104	104	104	104
L. Wheelbase(mm)	1240	1500	1500	1500	1500
M. Ground clearance(mm)	140	200	200	200	200
N. Angle of departure(°)	20	20	20	20	20
O. Front turning radius without bucket(mm)	1064	1298	1298	1365	1365
P. Front turning radius(mm)	1825	2010	2010	2200	2200
Q. Rear turning radius(mm)	1264	1714	1714	1742	1742
R. Rear axle to bumper (mm)	594	890	890	938	938
S. Thread width (mm)	1102	1462	1462	1654	1654
T. Width (mm)	1402	1782	1782	1994	2124
U. Bucket width (mm)	1500	1830	1830	2030	2160





QINGDAO ZONGJIN ENGINEERING MACHINERY CO.,LTD. [MAINLAND]

WOLF EQUIPMENT PTE.LTD. [SINGAPORE]



TEL: 0086-532-66739792

FAX: 0086-532-66739791

info@chinawheelloaders.com

WHATSAPP: 0086-13589171650

NO.88 CHUNYANG RD,CHENGYANG,
QINGDAO,CHINA

www.wolfloader.com